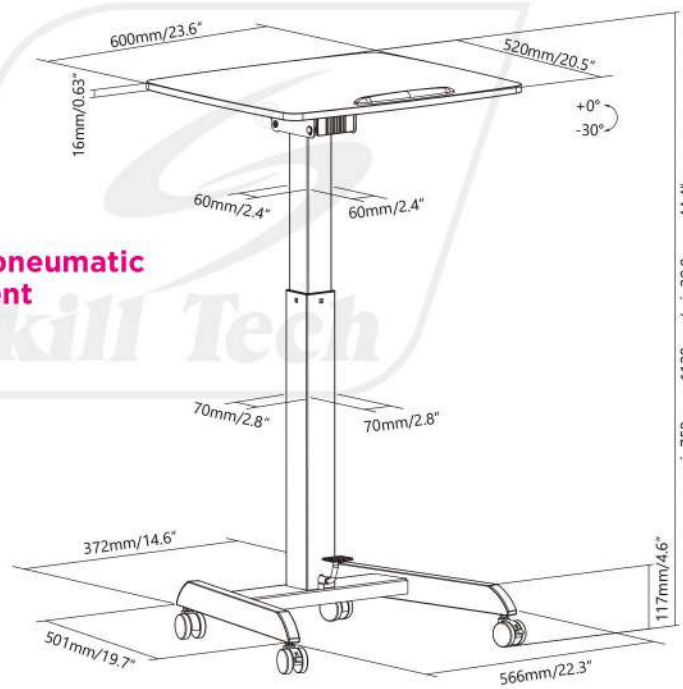


SH WS07

Height Adjustable Mobile Workstation with Foot Pedal



Foot activated pneumatic height adjustment



Weight Capacity
8kg/17.6lbs



Adjustable Tilt
provides the optimal angle.



Foot Activated Height Adjustment
sit or stand to work at your desired height.



Edge Stopper
for worry-free reading and writing.



Lockable Casters
ensure mobility and stability.